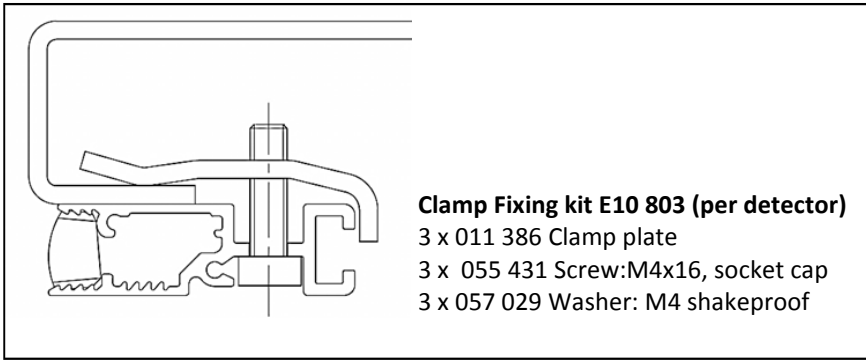


Memco E-Series E10 Fixing Options

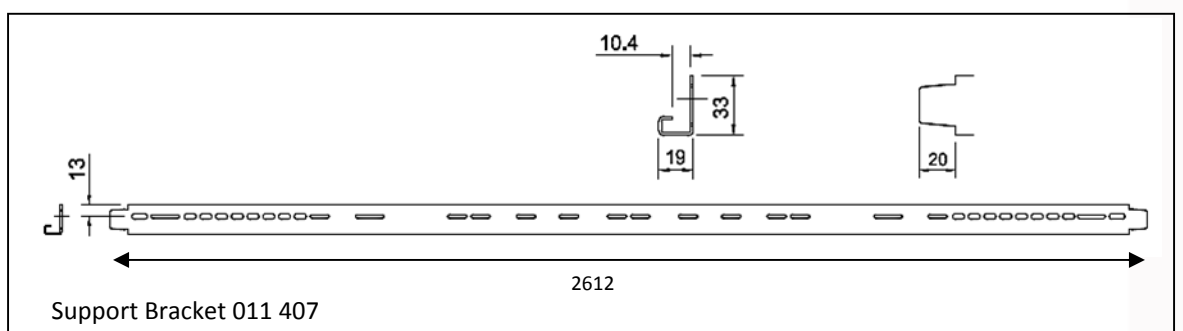
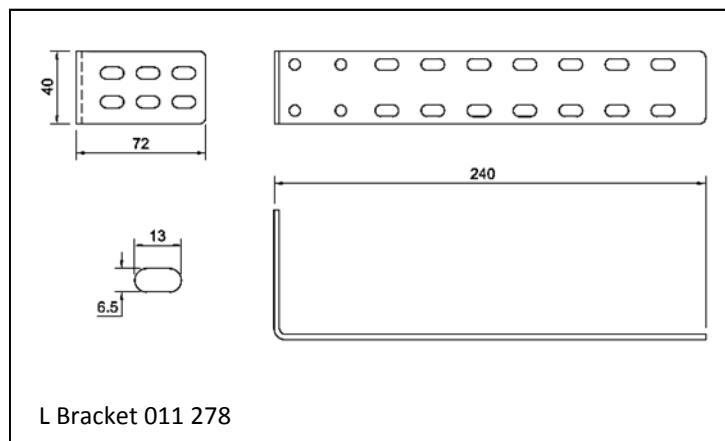
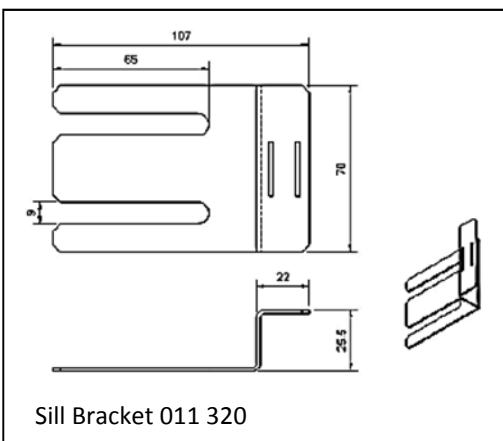
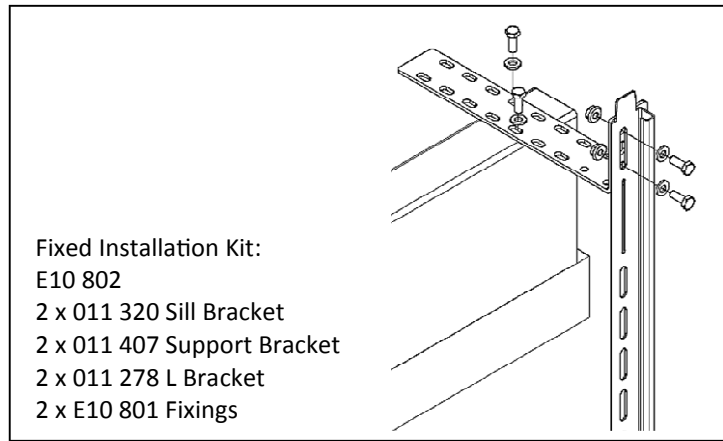
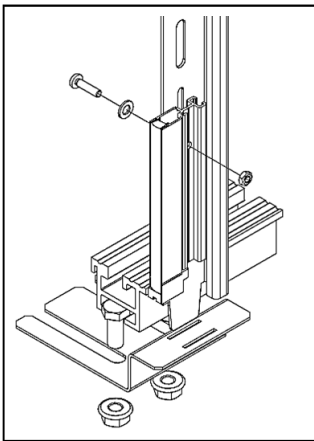


**PRODUCT
INFORMATION
SHEET**



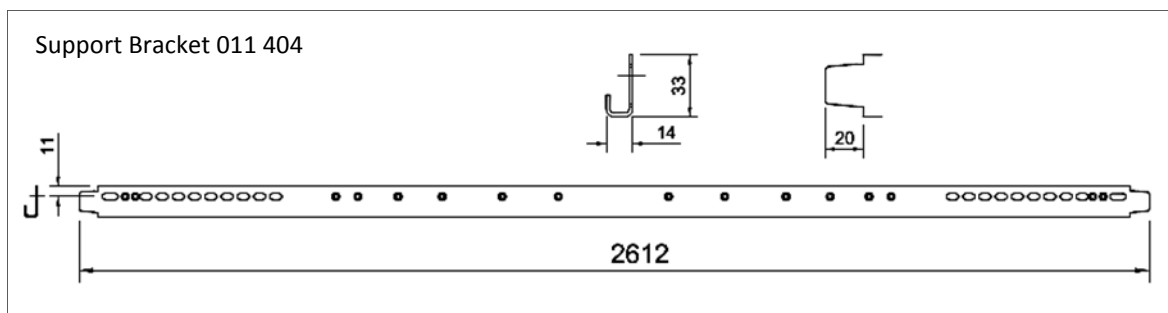
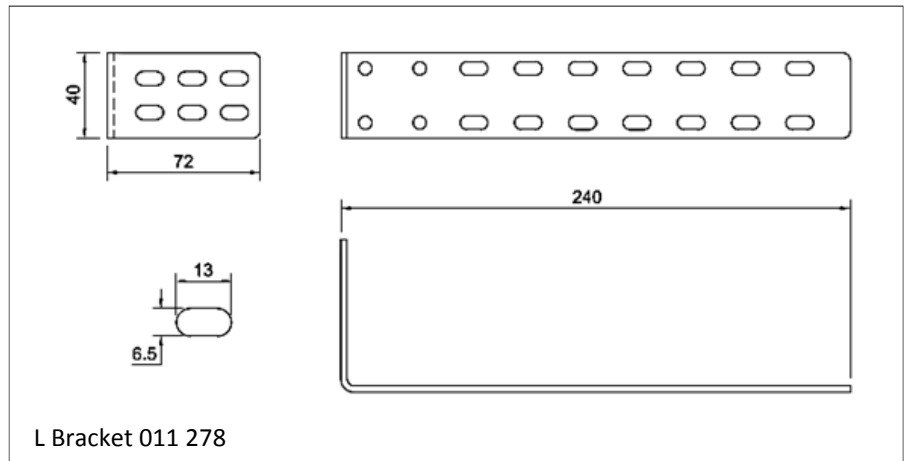
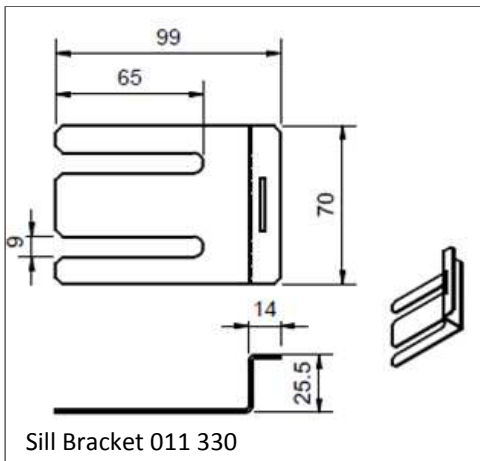
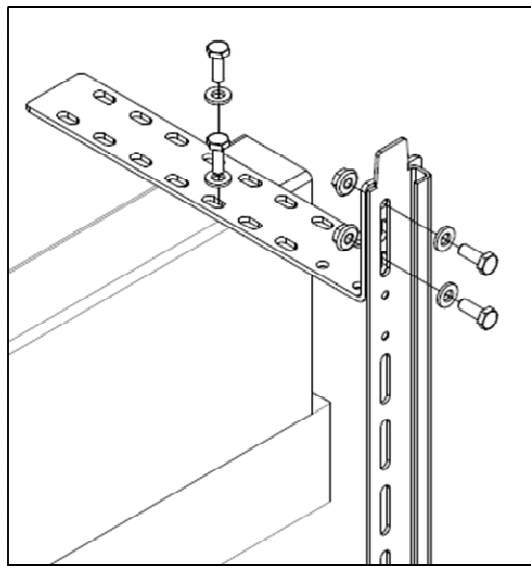
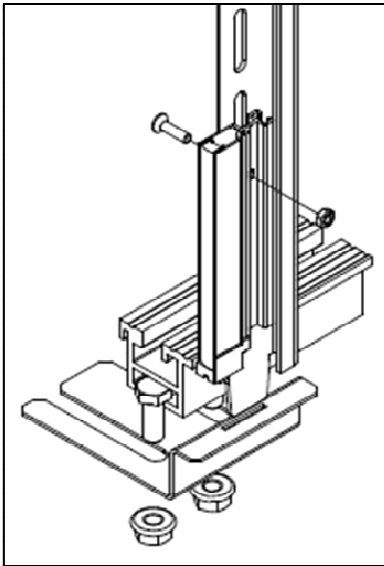
Static Installation - Standard Static Fixing kit E10 802

Recommended with standard running clearance (greater than 25mm).



Static Installation - Slimline Static Fixing kit E10 812

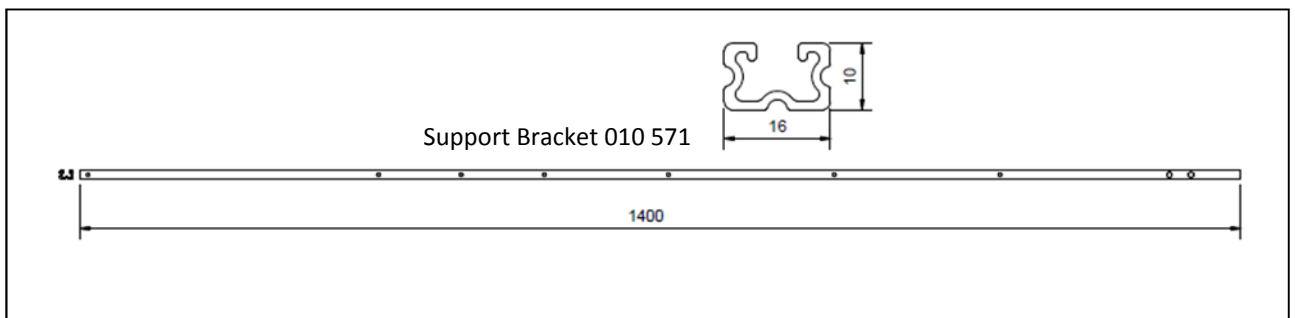
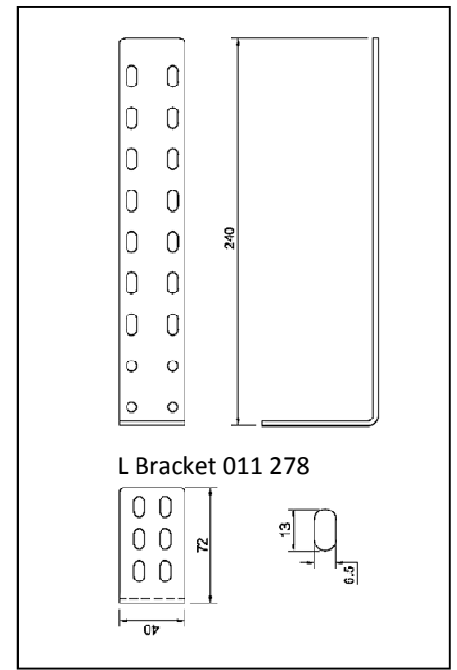
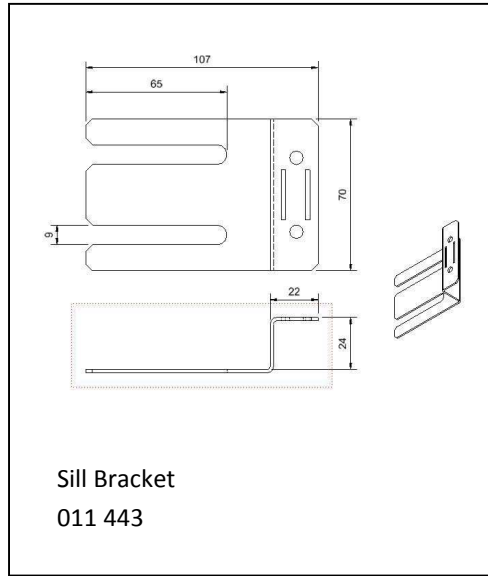
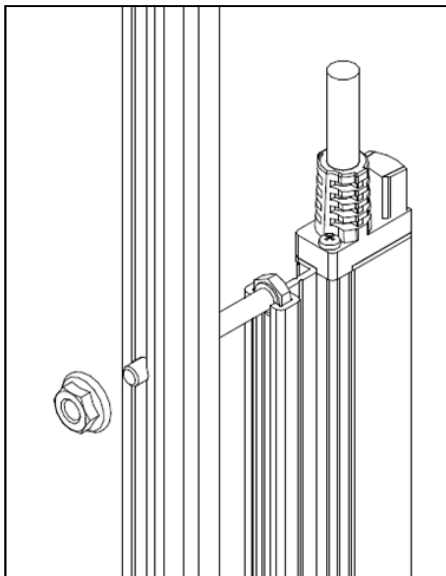
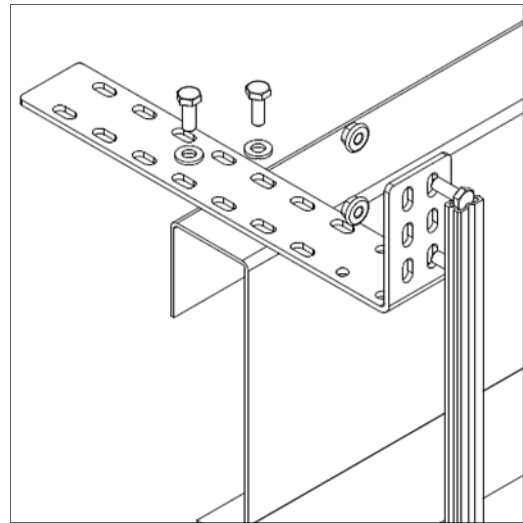
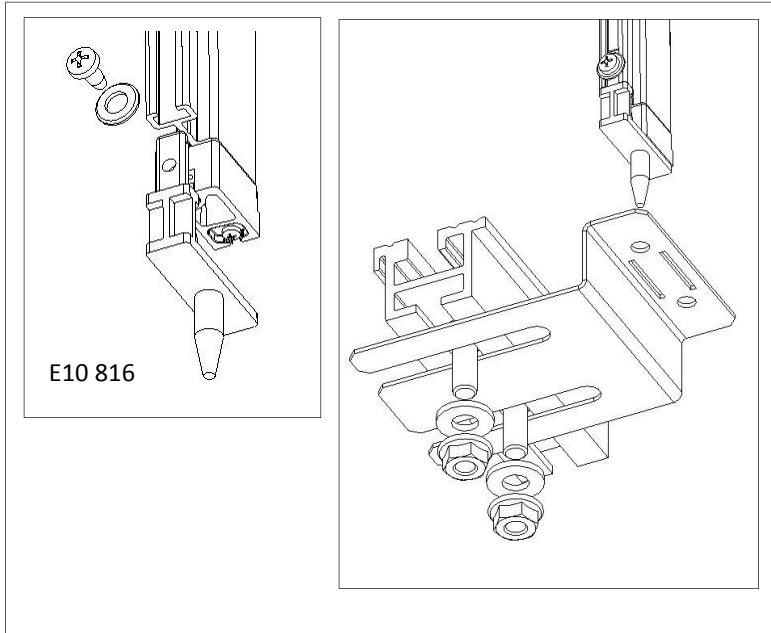
Recommended with standard running clearance approximately 20 – 25mm.



Fixed Installation Kit:
E10 812
2 x 011 330 Sill Bracket
2 x 011 404 Support Bracket
2 x 011 278 L Bracket
2 x E10 813 Fixings

New Static Installation - Short Static Fixing kit E10 805

Strong but lightweight—Aluminium rather than galvanised Steel



- Fixed Installation Kit:
- 2 x 011 443 Sill Bracket
 - 2 x 010 571 Support Bracket
 - 2 x 011 278 L Bracket
 - 1 x E10 806 Fixings
 - 2 x E10 816 6mm Pin Kit

MEMCO LTD,
CLYDE HOUSE,
REFORM ROAD,
MAIDENHEAD,
BERKS SL6 8BY, UK
TEL: +44 1628 540100
FAX: +44 1628 621947
email: sales@memco.co.uk
www.memco.co.uk